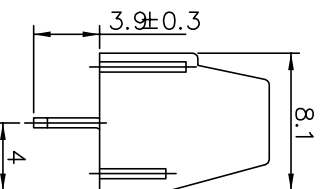
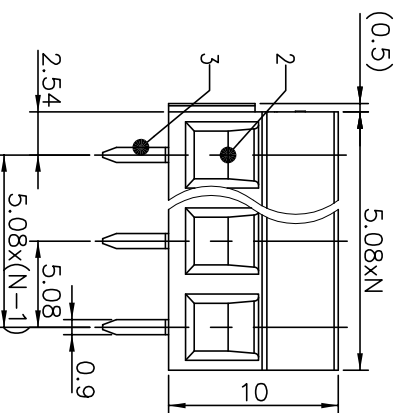
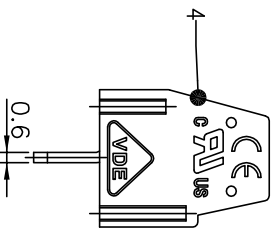
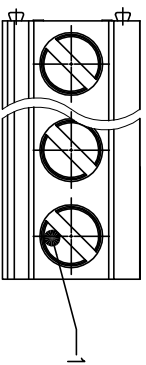
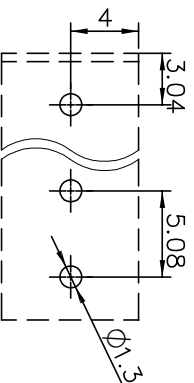


PCB LAYOUT



UL 标准/UL Standard:	B	C	D
额定电压/电压/Rated Voltage(V)/Current(A)	300*12	/	/
IEC 标准/IEC Standard:	III/3	III/2	II/2
过压类别/Overvoltage Category/污秽等级/Pollution Degree	/	250/75	/
额定电压/电压/Rated Voltage(V)/Current(A)	/	A/C2000	/
工频耐压/Withstand voltage(V/1Min)	M8, 02P 0.34/3.1	$\geq 0.8P$ 0.5/4.5	
螺栓扭矩/Torque Tightening(N·m/lbin)		28~140 0.75~1.5	
绝缘范围(硬线和软线)/Wire Range(rigid and flexible)(AWG/mm ²)		5.08(N=02~24P	
自距/Pitch(mm)/线数范围/Polis		6~7	
剥线长度/Stripping length(mm)		-40~+105	
使用温度范围/Operating temperature(°C)		Yes	
符合RoHS环保要求/Conform to RoHS			

SURFACE:

® **宁波三安电子科技有限公司**
Sanan Electrical Technology Co. Ltd

NAME: SA127-5.08-XXP-1Y-1000A&Z(H)

DRAWING NO.: REV 1/1

SCALE: SHEET

公差/General tolerances(mm)	0	>3	>6	>10	>18	>30	>50	>80	>120	>180	>250	>315	>400	>500
	±0.12	±0.18	±0.22	±0.26	±0.31	±0.37	±0.57	±0.80	±1.05	±1.15	±1.60	±2.20	±2.50	

0.1/10
±Z



SIZE: A4

mm
(inch)

TYPE:

SCALE:

SHEET 1/1